



COMBINED
SYSTEM
REVERSIBLE-KEY



CSR
COMBINED
REVERSIBLE-KEY
SYSTEM

ISEO[®]
UN MONDO PIÙ SICURO



MULTI-PROFILE AND MULTI-LEVEL REVERSIBLE-KEY SYSTEM:
AN ENDLESS COMBINATION OF PRODUCTS AND PROFILES TO SUIT ANY SECURITY AND FLEXIBILITY REQUIREMENT.



Joining high-level security and top performance: this was the aim that led ISEO to develop the innovative CSR system, the ideal solution for access control and Master Key systems.

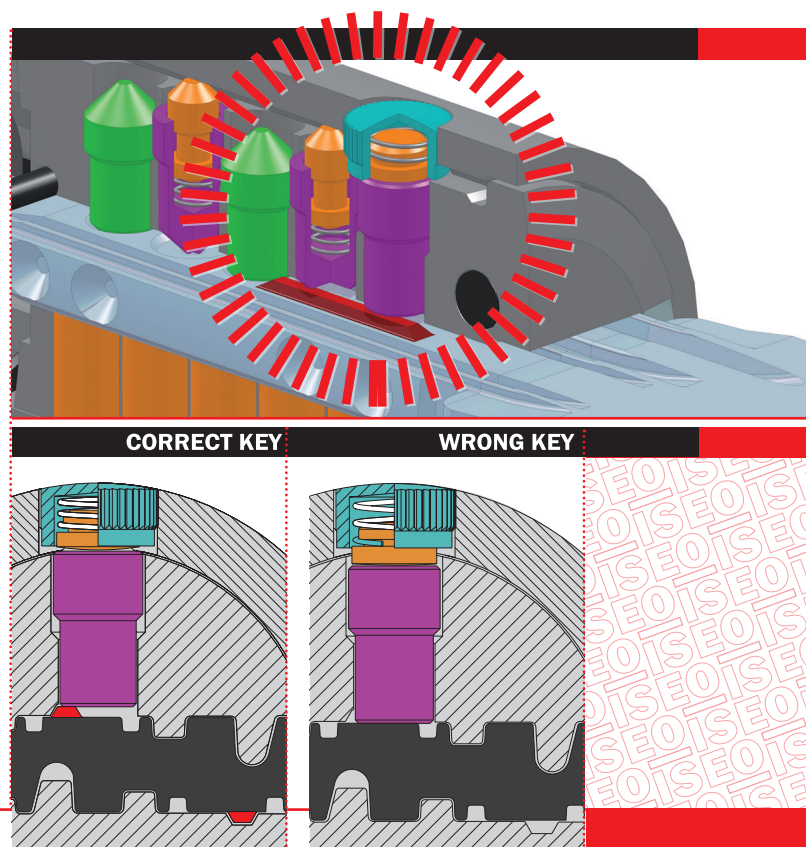
The different key profiles join with the special steel pins (on the cylinder sides, top and bottom) resulting in an extremely high number of combinations.

An extraordinary patent: the Blocking Pin

The **Blocking Pin** patented system, conceived as protection against unauthorized key duplication, is composed of a special active pin located in the cylinder and of a special crest on the key.

When inserting the **correct key** the mechanism is activated: *the pin and counterpin align and allow barrel rotation.*

When inserting the **wrong key** (key pit without crest) *the pin and counterpin do not align and do not allow barrel rotation.*





THE CYLINDER

Characterized by smart anti-theft solutions (**Anti-Bumping**), it also features special anti-drill protections in the body and in the barrel.

The anti-break bar in the cylinder body ensures a higher extraction resistance with performances far beyond market standards.

Thanks to the comprehensive range and the utmost flexibility the CSR cylinders are particularly recommended for Master Key systems (MK, GMK) as well as for central-cylinder systems (CK). They are available in KD (Keyed Diverse) or KA (Keyed Alike) version.

THE KEY

The key is reversible and has a long neck (therefore it can also be used with escutcheons). It is in nickel silver and has a handy keyhead.

It is protected against unauthorized duplication by patents and trademarks; a **registered profile without time limit** is placed on the tip of the key where the CSR mark is stylized.

Blanks are made using special equipment by ISEO only.

Controlled key copy

In order to protect the seller and the user, keys can be duplicated only upon presentation of the Property Card.

Patent on the key

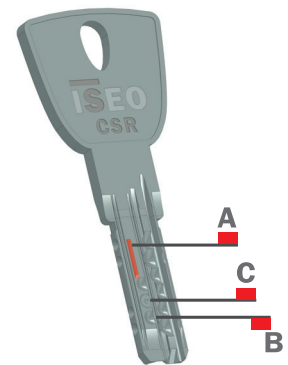
Patent N. EP 1106756.

Patent pending N. DE 10 2009 039502.4 31-08-2009.

A: Blocking pin crest

B: Passive pin

C: Active pin

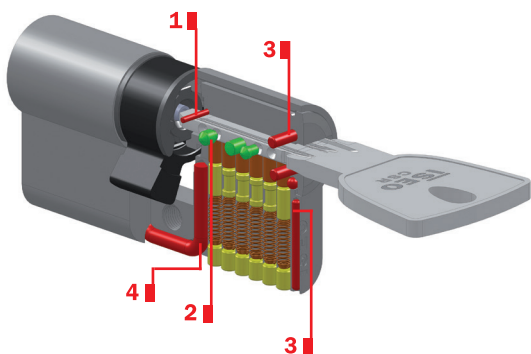


Made in (ISEO) Germany.

The strength of the big German tradition, the power of ISEO group, for an incomparable security level.

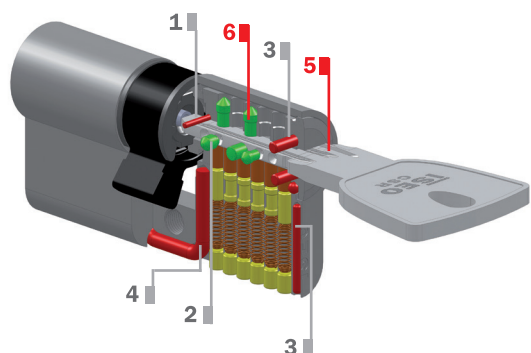
CSR Technical Features	R9/R9 plus	R90
Anti-break bar	X	X
Standard assembled cylinder	X	X
Anti-drill device (DIN EN 1303)	X	X
Pre-assembled cylinder	X	
Patent		X
Trademark	X	X



CSR RANGES**CSR R9**

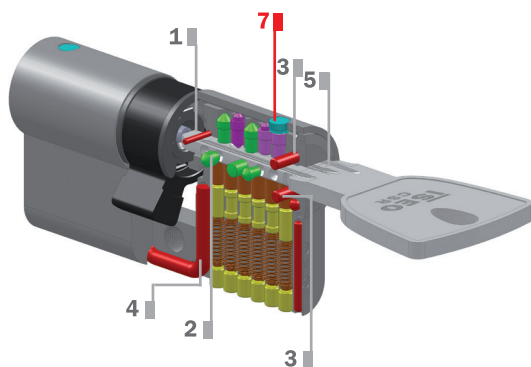
DIN EN 1303

- 4 Anti-break steel bar.
- 3 Anti-drill steel device in the cylinder body and in the barrel.
- 2 Steel top and bottom pins.
- 1 Trademark protection steel pin.

**CSR R9 plus**

DIN EN 1303

- 6 Independent and dedicated profiles.
- 5 Three-line coding with upper steel pins.
- 4 Anti-break steel bar.
- 3 Anti-drill steel device in the cylinder body and in the barrel.
- 2 Steel top and bottom pins.
- 1 Trademark protection steel pin.

**CSR R90**

DIN EN 1303

- 7 Blocking pin.
- 5 Three-line coding with upper steel pins.
- 4 Anti-break steel bar.
- 3 Anti-drill steel device in the cylinder body and in the barrel.
- 2 Steel top and bottom pins.
- 1 Trademark protection steel pin.

ISEO[®]
www.iseo.com

Iseo Serrature s.p.a.
Via San Girolamo 13
25055 Pisogne (BS) ITALY
Tel. + 39 0364 8821
Fax + 39 0364 882263
iseo@iseo.com